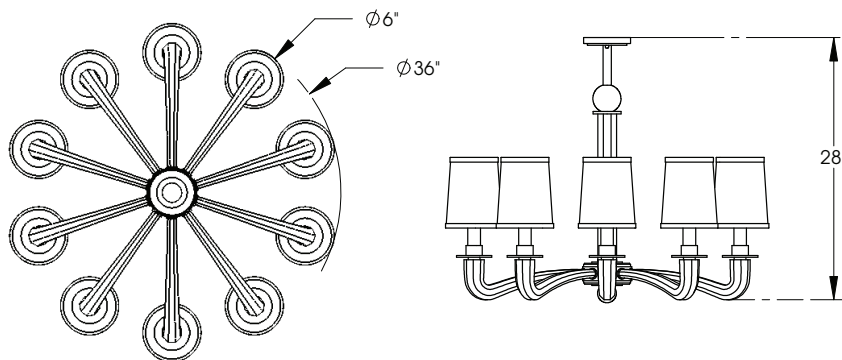


TOP BRASS LIGHTING



C-1057 - 10-LIGHT CHANDELIER

This chandelier features curved arms made from solid cast brass in an antique finish. The shades are trimmed with metal, and each has a medium base socket and an opal acrylic diffuser at the bottom.



Top Brass Lighting, 1719 Whitehead Rd, Baltimore, MD 21207
sales@topbrasslighting.com ph: 410-298-8100